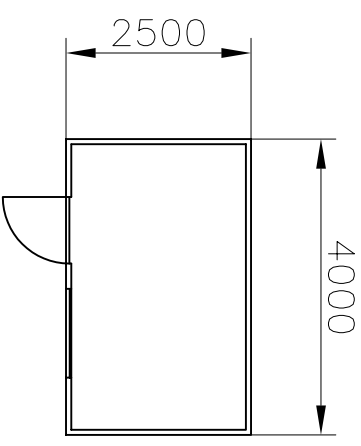
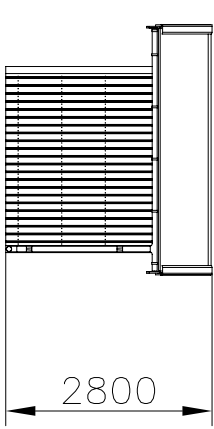
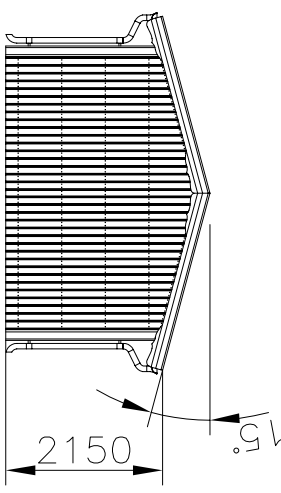
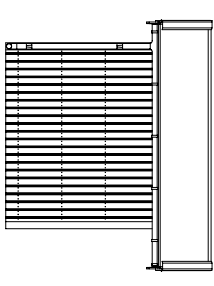
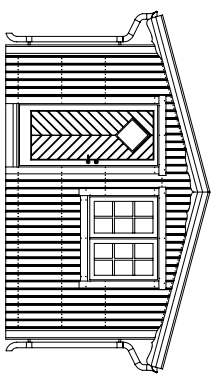



RevNo	Revision note	Date	Signature	Checked



Itemref	Quantity	Title/Name, designation, material, dimension etc		Article No./Reference	
Designed by M.Q		Checked by	Approved by - date	File name GULLVIVAN 10	Date 04-03-08
			GULLVIVAN 10		Edition 1
					Scale 1:100

