

1	2	3	4
RevNo	Revision note	Date	Signature
			Checked

A

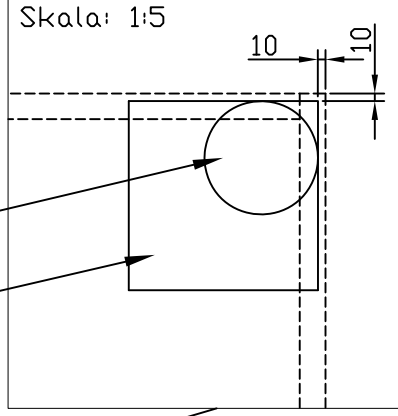
B

C

D

E

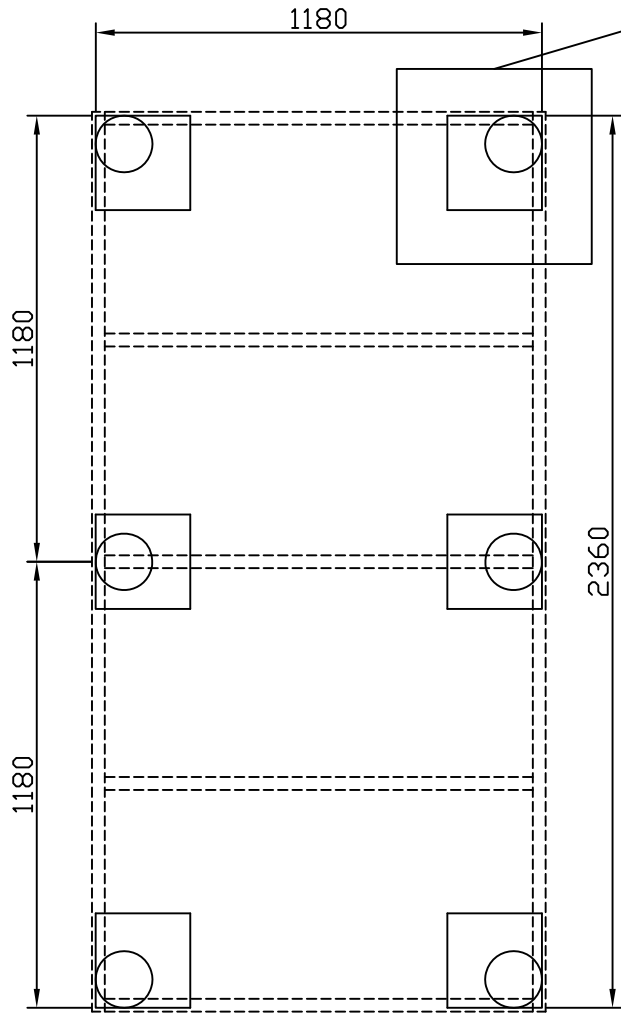
F




Alt. 1 Plint

Alt. 2 Block/platta el. dyl

Diagonalmått = 2639mm



Bjälklaget skall sticka ut 10mm från plintarna

Itemref	Quantity	Title/Name, designation, material, dimension etc			Article No./Reference	
Designed by Christer Larsson	Checked by Patrik Wester	Approved by - date P.W 101028	File name Plintrtn...	Date 101028	Scale 1:20	
			Plintritn Lekstuga Funkis			
			1	Edition 1	Sheet 1/1	