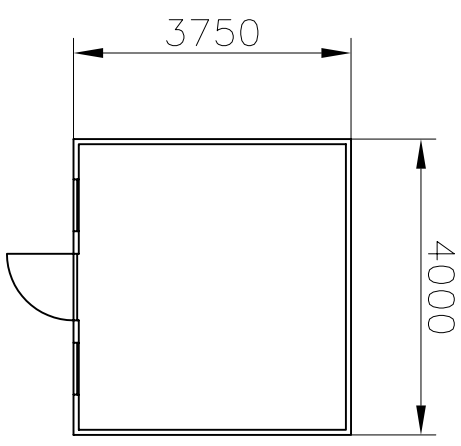
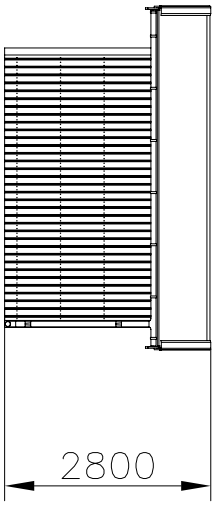
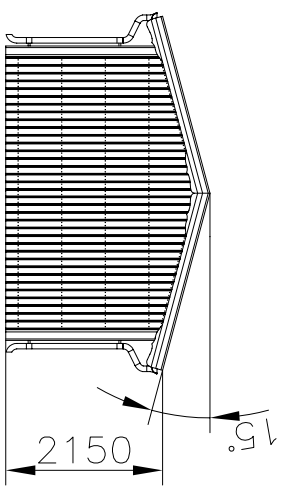
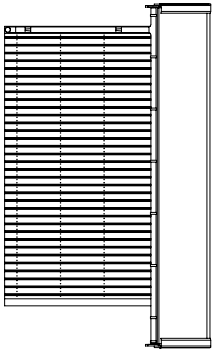
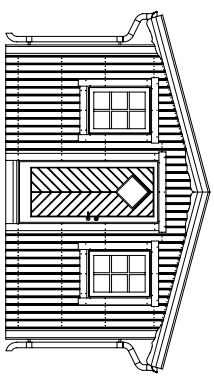



RevNo	Revision note	Date	Signature	Checked



Itemref	Quantity	Title/Name, designation, material, dimension etc	Article No./Reference
Designed by M.Q		Checked by	Date 04-03-05
		Approved by - date	Scale 1:100
			VITSIPPA 15
			VITSIPPA 15
			Edition 1
			Sheet 1/1