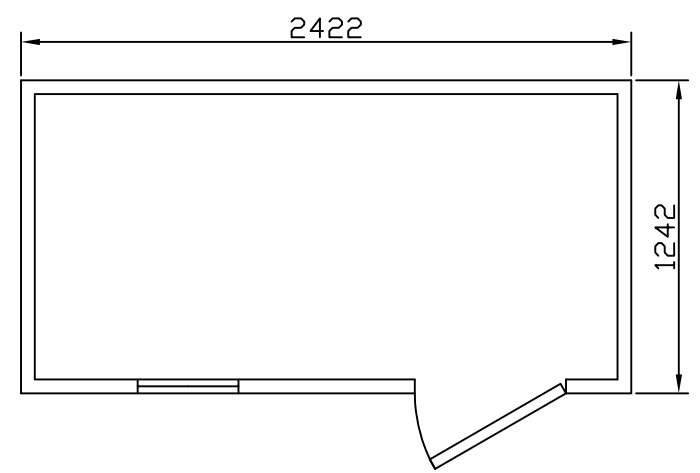
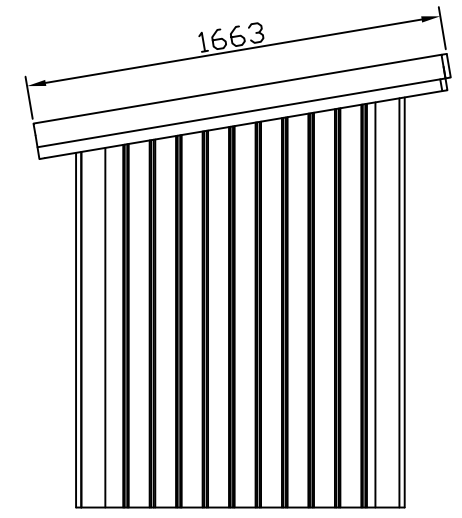
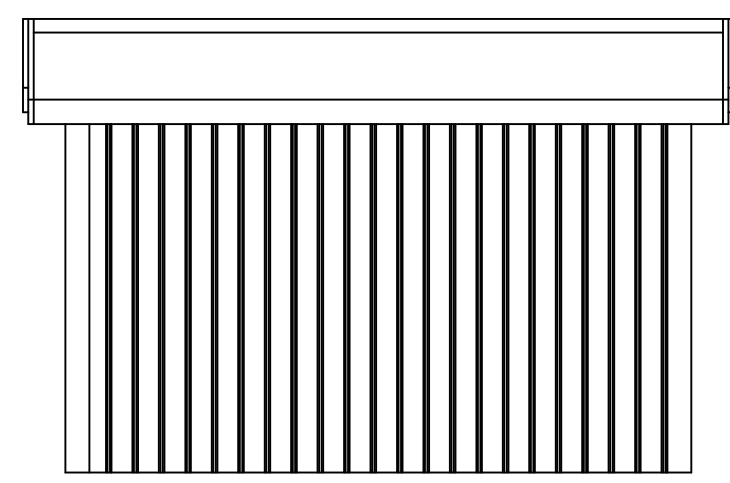
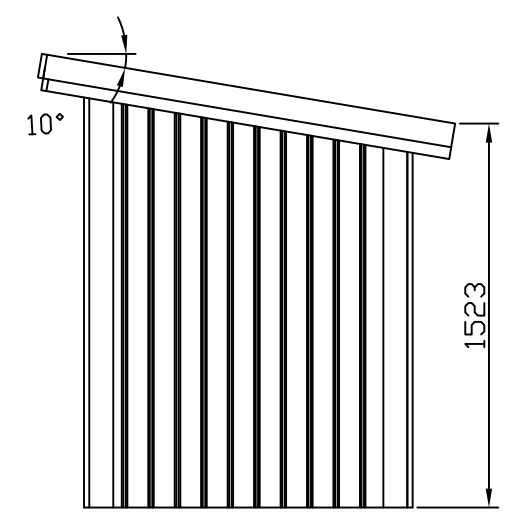
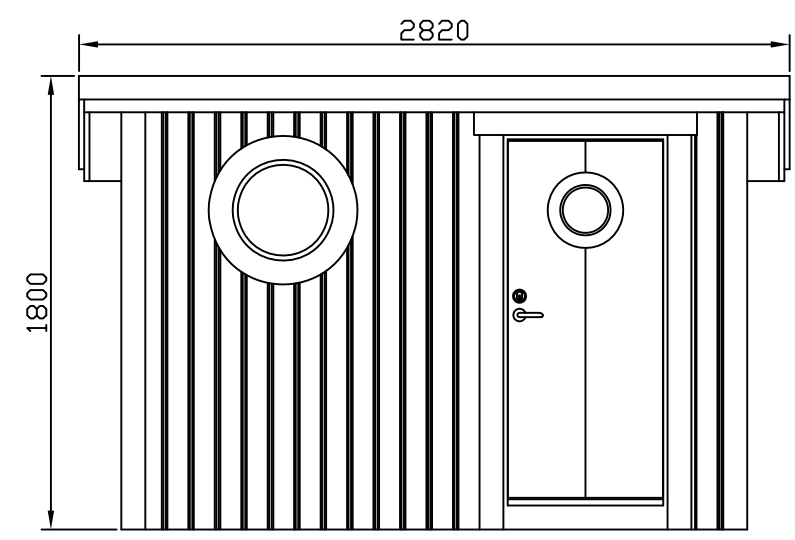


1 2 3 4 5 6 7 8

RevNo	Revision note	Date	Signature	Checked
-------	---------------	------	-----------	---------

A
B
C
D
E
F

A
B
C
D
E
F



Itemref	Quantity	Title/Name, designation, material, dimension etc	Article No./Reference		
Designed by Christer Larsson	Checked by Patrik Wester	Approved by - date P.W 101021	File name Lekstuga Funkis	Date 101021	Scale 1:30
			Lekstuga Funkis		
			1	Edition 0	Sheet 1/1

1 2 3 4 5 6 7 8